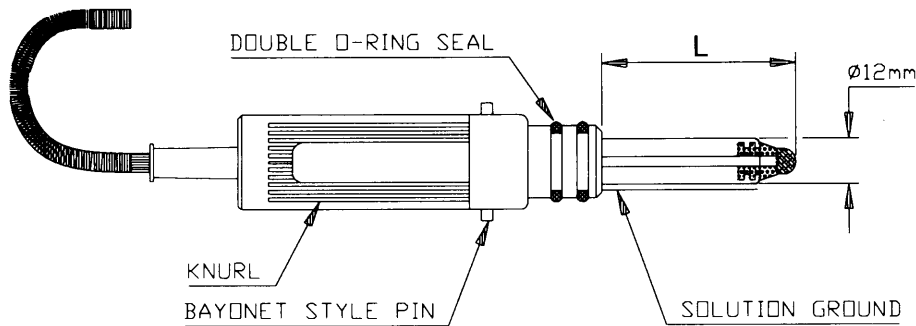




Innovative Sensors, Inc.

ISI SOLUTIONS - Specialty Sensors for Universal Applications

Model 35 Twist-Lock Sensor



The Model 35 pH sensor allows for quick insertion using our simple “twist and lock” adapter (see installation guide). This combination sensor incorporates pH, reference and solution ground in a robust PPS (Ryton®) housing. Double junction reference construction makes the M-35 highly resistant to electrode poisoning solutions.

The unique glass membrane and reference electrolyte selections make this disposable sensor ideal for general purpose, high temperature and harsh chemical service.

Applications

The Model 35 is recommended for petrochemical and other industrial applications.

Specifications

pH Range	0 to 14 pH
Temperature Range	-5°C to +121°C
Pressure Range	100psig @ 25°C
Impedance	150Mohm @ 25°C
Reference Cell	Annular, Double Junction
Reference Junction	Porous Teflon®
Zero Potential	7.0 pH ± 0.2 pH
Output Signal	59.16 mV per pH unit @ 25°C
Insertion Length (L)	1.75 inches standard
Response Time	95% of reading in 5 seconds
Drift	Less than 2mV per week
Wetted Materials	Ryton® R-4, Glass, Teflon®, 316 Stainless Steel



Monitoring and Treatment
Systems for Industry.

Process Technology



INNOVATIVE SENSORS INC.
REGISTERED TO ISO 9002
CERTIFICATE NO. A2865

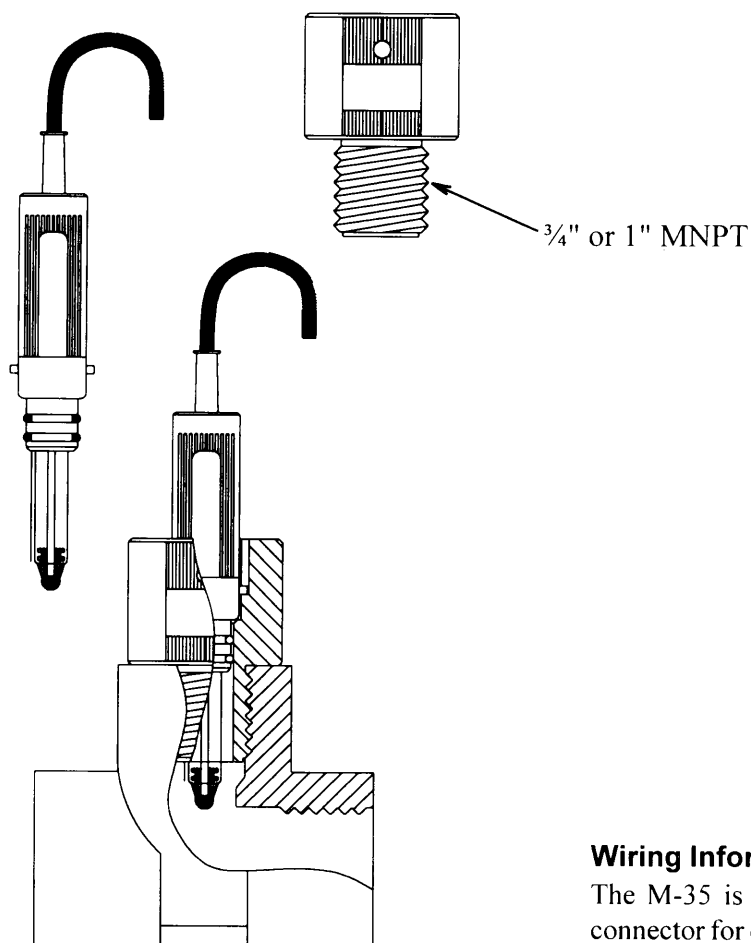


Available Options

M-35	pH sensor with bayonet housing
M-35-ORP	Platinum sensing element for redox measurement (ORP)
M-35-Na	Glass sodium membrane
M-35-PT100	Includes DIN standard PT100 RTD
M-35-PT1000	Includes DIN standard PT1000 RTD
M-35-3KTC	Includes standard 3000 ohm temperature compensator
Z8150	¾" MNPT Mounting Adapter (Ryton®)
Z8155	1" MNPT Mounting Adapter (Ryton®)

The Model 35 is supplied with a 10' multi-conductor cable with BNC connector and spade lug for solution ground.

Installation Guide



Wiring Information

The M-35 is fitted with a BNC connector for direct plug-in to the instrument or junction box. A solution ground lead comes standard, but does not need to be hooked up for the sensor to work.

Teflon[®] is a registered trademark of E. I. Du Pont de Nemours + Co.

Ryton[®] is a registered trademark of Phillips 66 Co.



Printed on
Recycled Paper

