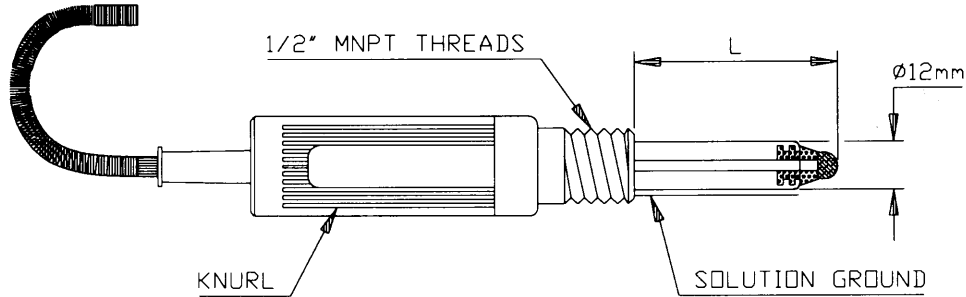




# Innovative Sensors, Inc.

ISI SOLUTIONS - Specialty Sensors for Universal Applications

## Model 25 - 1/2" MNPT Sensor



The Model M-25 pH sensor uses standard 1/2" MNPT threads for tee mounting. This combination sensor incorporates pH, reference and solution ground in a robust PPS (Ryton®) housing. Double junction reference construction makes the M-25 highly resistant to electrode poisoning solutions.

The unique glass membrane and reference electrolyte selections make this disposable sensor ideal for general purpose, high temperature and harsh chemical service.

## Applications

The Model 25 is recommended for use in water and wastewater treatment applications, cooling towers, plating baths and general industrial service.

## Specifications

pH Range	0 to 14 pH
Temperature Range	-5°C to +121°C
Pressure Range	100psig @ 25°C
Impedance	150Mohm @ 25°C
Reference Cell	Annular, Double Junction
Reference Junction	Porous Teflon®
Zero Potential	7.0 pH ± 0.2 pH
Output Signal	59.16 mV per pH unit @ 25°C
Insertion Length (L)	1.5 inches standard
Response Time	95% of reading in 5 seconds
Drift	Less than 2mV per week
Wetted Materials	Ryton® R-4, Glass, Teflon®, 316 Stainless Steel

PMI

Monitoring and Treatment  
Systems for Industry.

Process Technology

Tel: (905) 206-9514 Fax: (905) 282-9903



INNOVATIVE SENSORS INC.  
REGISTERED TO ISO 9002  
CERTIFICATE NO. A2865

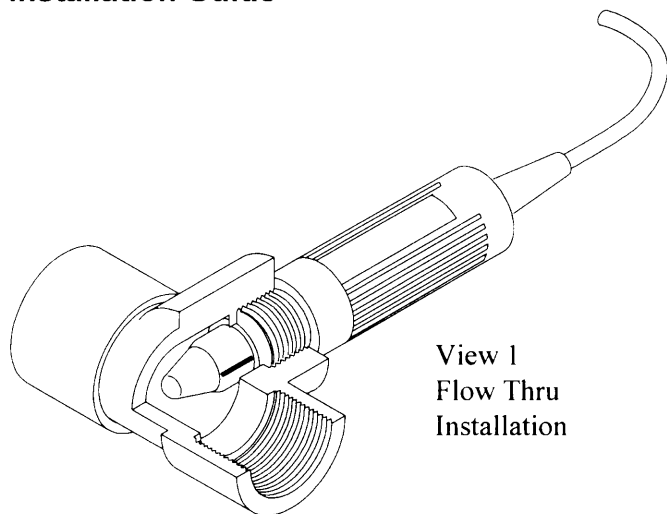


## Available Options

M-25	pH sensor with 1/2" MNPT housing
M-25-ORP	Platinum sensing element for redox measurement (ORP)
M-25-Na	Glass sodium membrane
M-25-PT100	Includes DIN standard PT100 RTD
M-25-PT1000	Includes DIN standard PT1000 RTD
M-25-3KTC	Includes standard 3000 ohm temperature compensator

The Model 25 is supplied with a 10' multi-conductor cable with BNC connector and spade lug for solution ground.

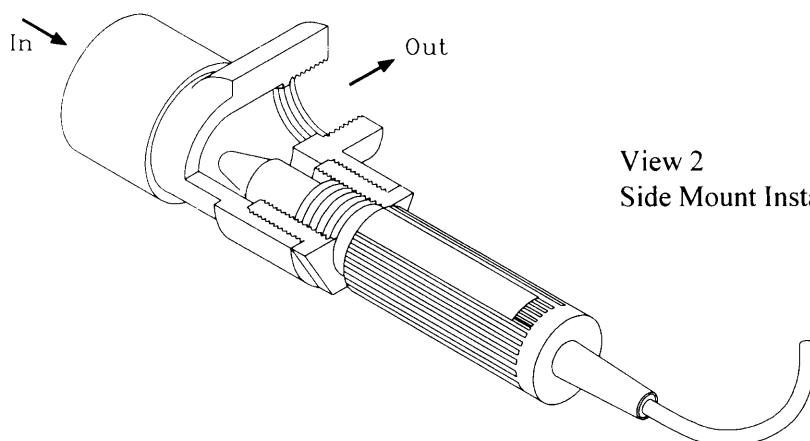
## Installation Guide



View 1  
Flow Thru  
Installation

### Wiring Information

The M-25 is fitted with a BNC connector for direct plug-in to the instrument or junction box. A solution ground lead comes standard, but does not need to be hooked up for the sensor to work.



View 2  
Side Mount  
Installation

Teflon<sup>®</sup> is a registered trademark of E.I. Du Pont de Nemours + Co.  
Ryton<sup>®</sup> is a registered trademark of Phillips 66 Co.



Printed on  
Recycled Paper



Form Ref: M25-DS-A96