

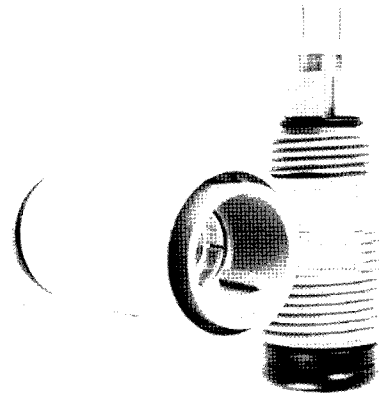
TOP68 Quick Disconnect Cable Connector

Features

- IP 68 Environmental Rating
- Waterproof, Corrosion Resistant
- Reliability of Fixed Cable
- Provides Ease of Use
- Keyed Assembly
- Suitable for Autoclaving
- Steam Sterilizable

Applications

- Ideal for Use in All Industrial Applications
- Designed for all 12 mm Electrochemical Industrial and Laboratory Sensors
- pH / ORP Sensors
- Conductivity Cells
- Oxygen, Ozone and Chlorine Sensors



IP68 Environmental Rating

The New TOP68 Quick Disconnect is the result of a two-year investment in design and field evaluation. An IP68 rating is achieved with only two O-ring seals. The design eliminates O-ring torque to maintain integrity of the seals. Other connectors, utilizing as many as four O-ring seals, achieve only an IP67 rating. The IP68 rating requires submersion at 1.0 m (3.28 ft.) water column at 50°C (122°F) for 7 days (168 hrs.)

Salinity Test

The TOP68 was immersed in a Potassium Chloride (KCl) solution along with other widely used quick disconnect systems. After one or two days all other quick disconnect systems failed. The TOP68 systems continued to operate perfectly, ending the 20-day evaluation.

Specifications

Environmental Rating	IP68
Temperature Rating	-15°C to 130°C (5°F to 266°F)
Pressure Rating	15.0 bar (217.5 psig)
Materials of Construction	Glass Reinforced PPS (Ryton), Viton O-Rings
Contacts	Gold Plated Nickel
Insulation	PFA
Number of Contacts Available	2 Pole, 4 Pole or 6 Pole
Process Connection	Pg 13.5 Gland Fitting



**Chemical Monitoring, Treatment &
Control Systems for Industry**

Tel: (905) 206-9514 Fax: 282-9903

PROCESS TECHNOLOGY

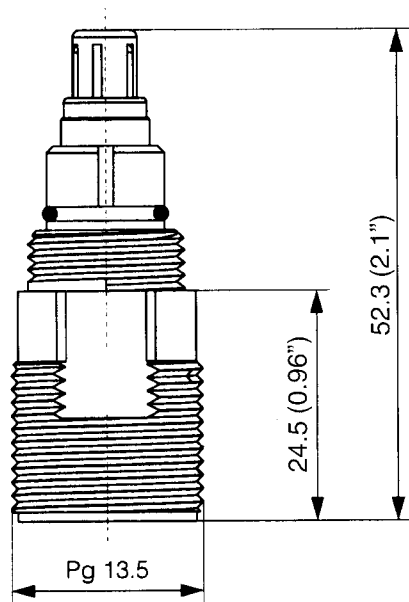
www.pmlprocess.com

ISI
4745 East Bryson Street
Anaheim, CA 92807-1901
July 2000

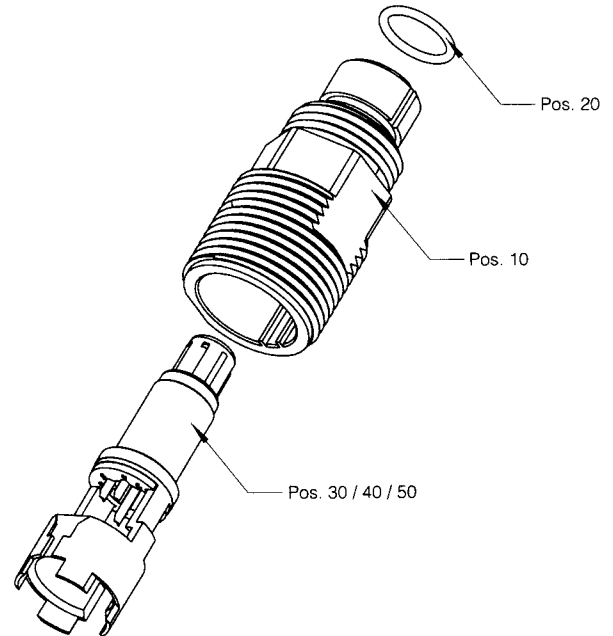
TOP68 Quick Disconnect Cable Connector

TOP68 Pg 13.5 Connector for 12 mm electrodes

Assembly Dimensions



Exploded Parts View



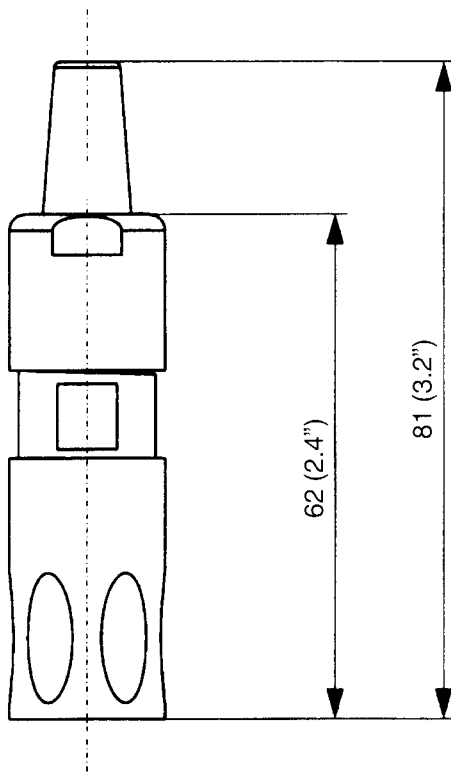
Ordering Information

Item Number	Description	Material	Part Number
20	O-Ring, 9 x 1.2	EPDM	51501700
10	Pg 13.5 Gland Fitting	PPS	51502392
30/40/50	Contact Set, 6	PFA	51500407
	Pole Contact Set, 4 Pole	PFA	51500408
	Contact Set, 2 Pole	PFA	51500410
Not Shown	Shipping Cap	Yellow Plastic	51501319

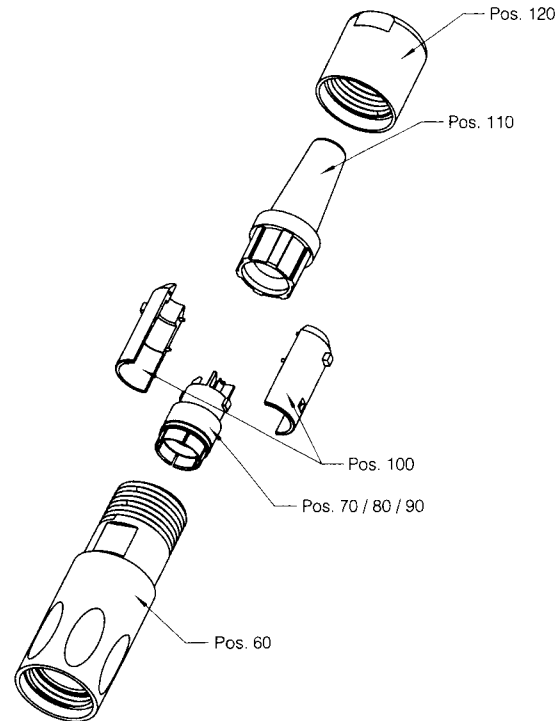
TOP68 Quick Disconnect Cable Connector

TOP68 Cable Connector

Assembly Dimensions



Exploded Parts View



Ordering Information

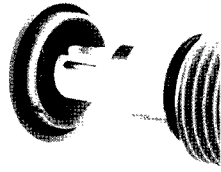
Item Number	Description	Material	Part Number
120	Cap Nut	PPS	51502288
110	Cable Strain Relief	EPDM	51502293
100	Shield (two required)	PPS (Electroplated)	51502876
70/80/90	Contact Set, 6 Pole	PFA	51500411
60	Coupling	PPS	51502373
Not Shown	Shipping Plug	PE	51501318

Toll Free: (800) 835-5474
Telephone: (714) 779-8781
Fax: (714) 779-9315

ISI
4745 East Bryson Street
Anaheim, CA 92807-1901
July 2000

TOP68 Quick Disconnect Cable Connector

Keyed Alignment



The orientation between the cap and plug is accomplished by molding the alignment key in the PPS housing. Other housings provide an alignment key at the connector that creates mechanical stress of the contacts. Even after several hundred cycles, the TOP68 exhibited no visible wear and tear.

High Impedance Connection



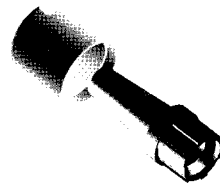
The contact carrier is made of PFA, an extremely hydrophobic material that does not absorb moisture. It's easily cleaned and dried making it an ideal high impedance connector.

Precision Components

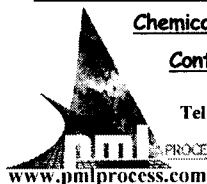


The electrical contacts are manufactured to precise specifications modeled after proven integrated circuit designs. Attention to detail in the design of the short travel springs guarantees a secure, reproducible electrical connection.

Waterproof Cable Gland



The cable gland features a torsion-proof cable bushing and double axial sealing lip. This design has proven itself reliable in thousands of submersion applications where sensors have been suspended by the cable in different solutions. The cable connection was subjected to thousands of 180° angle bends resulting in no damage or failure.



**Chemical Monitoring, Treatment &
Control Systems for Industry**

Tel: (905) 206-9514 Fax: 282-9903

ISI
4745 East Bryson Street
Anaheim, CA 92807-1901
July 2000